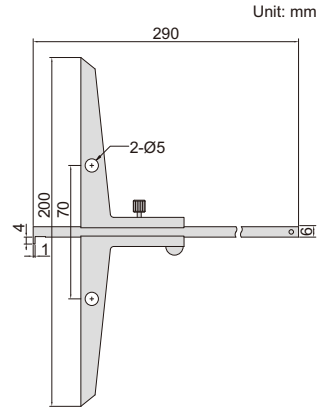


VERNIER HOOK DEPTH GAGE



1243-2001

- Graduation 0.02mm
- Made of stainless steel
- Satin chrome plating finish on reading surface
- Optional accessory: extension base (code **6141**)



Code	Range	Accuracy
1243-2001	0-200mm	$\pm 0.04\text{mm}$

